

# Heavy Duty GRIP STRUT™ Walkway - Safe Loading Tables

**5-Diamond Planks — 24" Width — 5" Deep — "H" Series**  
**6-Diamond Planks — 30" Width — 5" Deep — "H" Series**  
**8-Diamond Planks — 36" Width — 5" Deep — "H" Series**

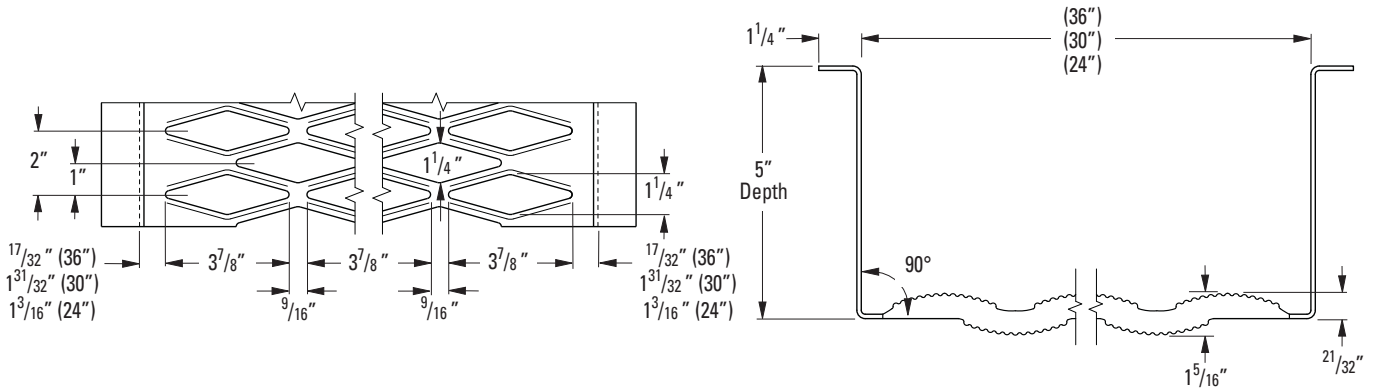
## Steel Walkway Selection Design Loads/Deflections

Allowable Loads and Deflections: U=Uniform Load (lb./ft.<sup>2</sup>) C= Concentrated Load (lb.) D=Deflection (in.)

Steel Width Diamond	Material Gauge	Weight lb./lin. ft. (kg/m)	Catalog Number		Span																
					4'-0"	5'-0"	6'-0"	7'-0"	8'-0"	9'-0"	10'-0"	11'-0"	12'-0"	13'-0"	14'-0"	15'-0"	16'-0"	18'-0"	20'-0"	22'-0"	24'-0"
24" 5-Dia	11 ga.	15.4 (22.9)	H-55011-W	U	750	480	334	245	187	148	120	99	83	71	62	54	47	37	30	25	21
				D	.34	.35	.38	.34	.34	.34	.35	.42	.50	.59	.69	.79	.91	1.13	1.43	1.70	2.03
				C	3000	2400	2000	1714	1500	1334	1200	1091	1000	922	857	800	750	666	600	546	500
				D	.27	.28	.31	.28	.28	.27	.28	.34	.41	.48	.56	.63	.72	.91	1.13	1.36	1.62
	10 ga.	17.5 (26.0)	H-55010-W	U	937	600	417	306	234	185	150	124	104	89	77	67	59	46	38	31	26
				D	.38	.39	.42	.38	.38	.38	.39	.47	.56	.66	.77	.88	1.01	1.26	1.59	1.89	2.25
				C	3750	3000	2500	2143	1875	1667	1500	1364	1250	1153	1071	1000	938	833	750	682	625
				D	.30	.31	.34	.31	.30	.30	.31	.36	.45	.53	.61	.70	.80	1.01	1.25	1.51	1.80
	9 ga.	19.6 (29.1)	H-55009-W	U	1031	660	459	337	257	204	165	136	114	98	85	74	65	51	42	34	29
				D	.38	.39	.42	.38	.38	.38	.39	.47	.56	.66	.77	.88	1.01	1.26	1.59	1.89	2.25
				C	4125	3300	2750	2357	2063	1834	1650	1500	1375	1268	1178	1100	1032	916	825	750	688
				D	.30	.31	.34	.31	.30	.30	.31	.36	.45	.53	.61	.70	.80	1.01	1.25	1.51	1.80
30" 6-Dia	11 ga.	17.7 (26.3)	H-65011-W	U	732	468	325	239	183	145	116	96	81	69	60	52	45	36	28	24	20
				D	.33	.39	.36	.36	.41	.38	.37	.37	.44	.51	.59	.68	.77	.98	1.20	1.46	1.73
				C	3667	2932	2444	2095	1832	1629	1467	1333	1222	1128	1047	977	916	815	732	667	610
				D	.27	.31	.29	.29	.33	.31	.30	.30	.35	.41	.48	.55	.62	.78	.97	1.17	1.40
	10 ga.	19.9 (29.6)	H-65010-W	U	916	586	407	299	229	182	146	121	102	87	75	65	57	45	36	30	25
				D	.37	.43	.40	.40	.46	.42	.41	.41	.49	.57	.66	.75	.86	1.09	1.33	1.62	1.92
				C	4584	3666	3056	2619	2291	2037	1834	1667	1528	1410	1309	1222	1146	1019	916	834	763
				D	.30	.34	.32	.32	.37	.34	.33	.33	.39	.45	.53	.61	.69	.87	1.08	1.30	1.55
	9 ga.	22.1 (32.9)	H-65009-W	U	1007	644	447	328	251	200	160	133	112	95	82	71	62	49	39	33	27
				D	.37	.43	.40	.40	.46	.42	.41	.41	.49	.57	.66	.75	.86	1.09	1.33	1.62	1.92
				C	5042	4032	3361	2880	2530	2240	2017	1833	1680	1551	1439	1344	1260	1120	1007	917	839
				D	.30	.34	.32	.32	.37	.34	.33	.33	.39	.45	.53	.61	.69	.87	1.08	1.30	1.55
36" 8-Dia	11 ga.	20.2 (30.0)	H-85011-W	U	444	284	197	144	111	88	71	58	49	42	36	31	28	21	17	14	12
				D	.35	.35	.30	.29	.30	.32	.35	.38	.46	.54	.62	.71	.82	1.04	1.26	1.50	1.78
				C	2664	2133	1777	1524	1333	1184	1066	969	888	820	761	711	666	592	533	484	444
				D	.28	.28	.23	.23	.23	.26	.28	.31	.37	.43	.50	.58	.65	.83	1.02	1.23	1.47
	10 ga.	22.7 (33.8)	H-85010-W	U	556	356	247	181	139	110	89	73	62	53	45	39	35	27	22	18	15
				D	.39	.39	.33	.32	.33	.36	.39	.42	.51	.60	.69	.79	.91	1.15	1.40	1.67	1.98
				C	3330	2667	2222	1905	1667	1481	1333	1212	1111	1026	952	889	833	741	667	606	556
				D	.31	.31	.26	.26	.26	.29	.31	.34	.41	.46	.55	.64	.72	.92	1.13	1.37	1.63
	9 ga.	25.3 (37.6)	H-85009-W	U	611	391	271	199	152	121	97	80	68	58	49	42	38	29	24	19	16
				D	.39	.39	.33	.32	.33	.36	.39	.42	.51	.60	.69	.79	.91	1.15	1.40	1.67	1.98
				C	3663	2933	2444	2095	1833	1629	1466	1333	1222	1128	1047	977	916	815	733	666	611
				D	.31	.31	.26	.26	.26	.29	.31	.34	.41	.46	.55	.64	.72	.92	1.13	1.37	1.63

# Heavy Duty GRIP STRUT™ Walkway - Safe Loading Tables

**5-Diamond Planks — 24" Width — 5" Deep — "H" Series cont.**  
**6-Diamond Planks — 30" Width — 5" Deep — "H" Series cont.**  
**8-Diamond Planks — 36" Width — 5" Deep — "H" Series cont.**



**Strut Concentrated - Loads/Deflections<sup>(2)</sup>**

Walkway Width	Thickness - Material	Concentrated C <sub>s</sub> (lb./ft.)	
		Serrated	Non-Serrated
24"	11 ga. - Steel	798	917
	10 ga. - Steel	912	1048
	9 ga. - Steel	1026	1179
	Deflection (in.)	0.08	0.07
30"	11 ga. - Steel	537	612
	10 ga. - Steel	618	704
	9 ga. - Steel	703	800
	Deflection (in.)	0.11	0.10
36"	11 ga. - Steel	447	510
	10 ga. - Steel	515	587
	9 ga. - Steel	586	667
	Deflection (in.)	0.16	0.15

C<sub>s</sub> = Allowable Concentrated Load per ft. of length at mid-width (lb./ft.)

(2) See "General Load information", page 4, for explanation of design load deflection conditions.

**Strut Uniform - Loads/Deflections<sup>(2)</sup>**

Walkway Width	Thickness - Material	Uniform U (lb./ft. <sup>2</sup> )	
		Serrated	Non-Serrated
24"	11 ga. - Steel	798	917
	10 ga. - Steel	912	1048
	9 ga. - Steel	1026	1179
	Deflection (in.)	0.11	0.10
30"	11 ga. - Steel	429	490
	10 ga. - Steel	494	563
	9 ga. - Steel	563	640
	Deflection (in.)	0.14	0.13
36"	11 ga. - Steel	298	340
	10 ga. - Steel	343	391
	9 ga. - Steel	391	444
	Deflection (in.)	0.20	0.19

U = Allowable Uniform Load (lb./ft.<sup>2</sup>)

(2) See "General Load information", page 4, for explanation of design load deflection conditions.