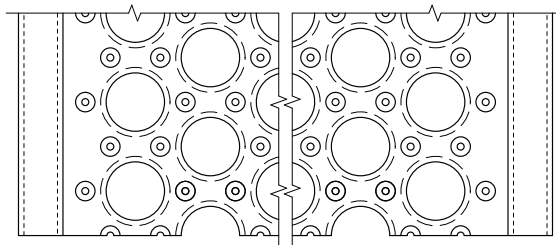
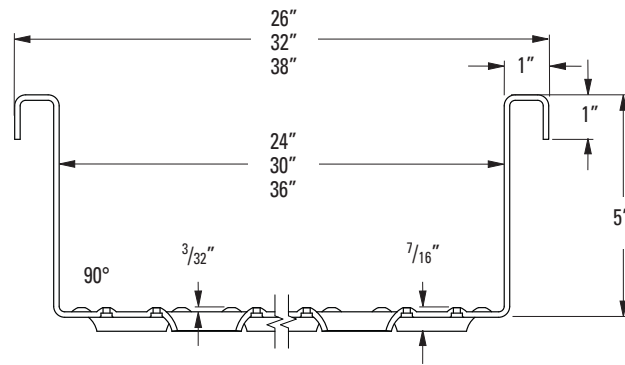


Grating Load Tables

PERF-O GRIP™ — Walkway — 24", 30" & 36" Widths



PERF-O-GRIP

Walkway Selection/Design Tables (Note: Consult factory for data on 36" width)

Allowable Loads and Deflections: U=Uniform Load (lb./ft.²) C= Concentrated Load (lb.) D=Deflection (in.)

Material Gauge	Channel Depth in. (mm)	Weight lb./lin. ft. (kg/m)	Catalog Number	Span																	
				2'-0"	2'-6"	3'-0"	3'-6"	4'-0"	4'-6"	5'-0"	5'-6"	6'-0"	6'-6"	7'-0"	7'-6"	8'-0"	9'-0"	10'-0"	11'-0"	12'-0"	
Steel 11 ga. 24" wide (609.6)	5" (127.0)	11.8 (17.5)	P135011W	U	5751	3681	2556	1878	1438	1136	920	760	639	544	469	409	359	284	230	190	160
				D	.02	.02	.04	.05	.06	.08	.10	.12	.14	.16	.19	.22	.25	.31	.39	.47	.56
				C	9504	7603	6336	5431	4752	4224	3802	3456	3168	2924	2715	2534	2376	2112	1901	1728	1584
				D	.01	.01	.02	.03	.04	.05	.06	.07	.08	.10	.11	.13	.15	.19	.23	.28	.34
Steel 11 ga. 30" wide (762.0)	5" (127.0)	13.6 (20.2)	P165011W	U	3868	2475	1719	1263	967	764	619	511	430	366	316	275	242	191	155	128	107
				D	.01	.02	.03	.04	.05	.06	.08	.10	.12	.13	.16	.18	.20	.26	.32	.39	.46
				C	9534	7627	6356	5448	4767	4237	3813	3467	3178	2933	2724	2542	2383	2119	1907	1733	1589
				D	.00	.01	.02	.03	.04	.05	.06	.07	.08	.10	.11	.13	.15	.19	.23	.28	.33

PERF-O GRIP: To order standard PERF-O GRIP grating use part number "Pxxxx".
Standard lengths are 10'-0" and 12'-0". Longer lengths of 20'-0" and 24'-0" are available. Consult factory.